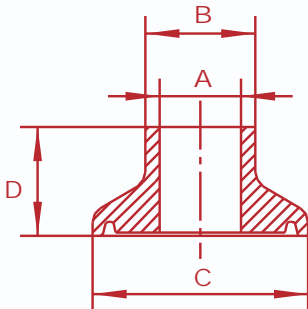
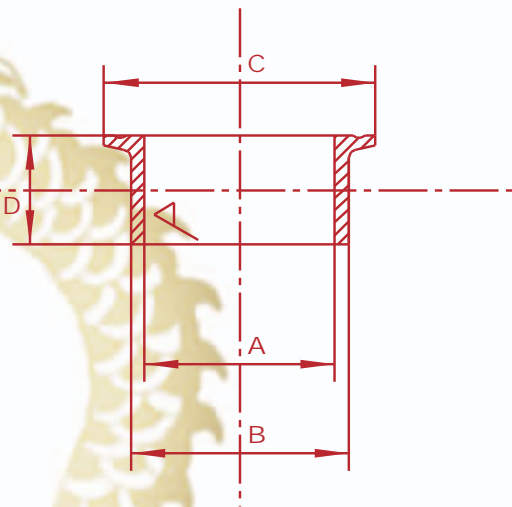


MILK LINE FITTINGS & CONNECTORS -- 3A CLAMP UNIONS (mm)

Welding Ferrule

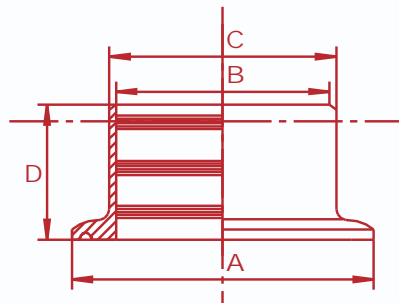
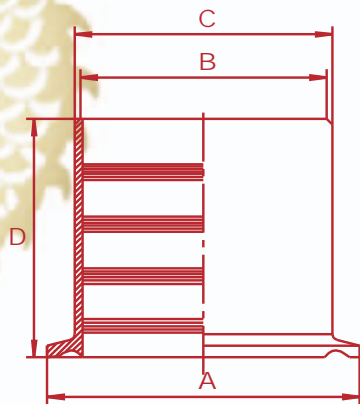


Part No.	Size	A [mm]	B [mm]	C [mm]	D [mm]	D [mm]	D [mm]
011-140	1/2	9.45	12.75	25.2	12.7	21.5	28.6
011-141	3/4	15.75	19.05	25.2	12.7	21.5	28.6
011-142	1.0	22.2	25.4	50.5	12.7	21.5	28.6
011-143	1.5	34.9	38.1	50.5	12.7	21.5	28.6
011-144	2.0	47.6	50.8	64	12.7	21.5	28.6
011-145	2.5	60.3	63.5	77.5	12.7	21.5	28.6
011-146	3.0	73	76.2	91	12.7	21.5	28.6
011-147	4.0	97.6	101.6	119	15.8	21.5	28.6
011-148	6.0	146.8	152.5	166.8	-	21.5	38.1
011-149	8.0	197.6	203.3	217.7	-	21.5	38.1
011-150	10	247.2	254.1	268.5	-	21.5	38.1
011-151	12	298	304.9	319.3	-	21.5	38.1



MILK LINE FITTINGS & CONNECTORS -- 3A PIPE LINE (mm)

Expanding Ferrule



Part No.	Size	A [mm]	B [mm]	C [mm]	D [mm]
011-160	1.0	50.5	25.5	29.5	191.1
011-161	1.5	50.5	38.2	42.6	28.6
011-162	2.0	64	50.9	55.7	33.3
011-163	2.5	77.5	63.6	68.8	34.9
011-164	3.0	91	76.3	81.9	36.5
011-165	4.0	119	101.7	108.1	38.1

Weld End Check Valves



Part No.	Size	A [mm]	B [mm]	C [mm]	D [mm]	E [mm]
011-180	1.0	22.1	25.4	80	59	38
011-181	1.5	34.8	38.1	93	59	38
011-182	2.0	47.5	50.8	106	59	38
011-183	2.5	60.2	63.5	123	59	38
011-184	3.0	72.9	76.2	136	59	38

