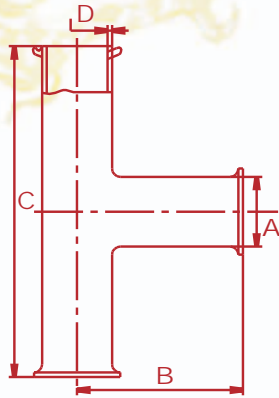


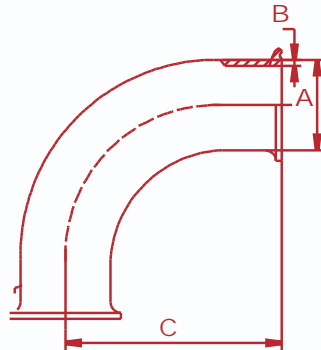
MILK LINE FITTINGS & CONNECTORS -- 3A PIPE LINE (mm)

Clamp Tee



Part No.	Size	A [mm]	B [mm]	C [mm]	D [mm]
011-001	1.0	25.4	60.3	120.6	1.65
011-002	1.5	38.1	69.9	139.8	1.65
011-003	2.0	50.8	88.9	177.8	1.65
011-004	2.5	63.5	88.9	177.8	1.65
011-005	3.0	76.2	95.3	190.6	1.65
011-006	4.0	101.6	114.2	228.4	2.10

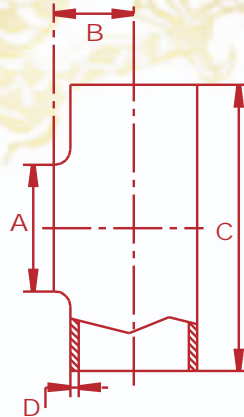
90 Degree Clamp Bend



Part No.	Size	A [mm]	B [mm]	C [mm]
011-020	1.0	25.4	50.8	1.65
011-021	1.5	38.1	69.9	1.65
011-022	2.0	50.8	88.9	1.65
011-023	2.5	63.5	107.95	1.65
011-024	3.0	76.2	127	1.65
011-025	4.0	101.6	168.2	2.10

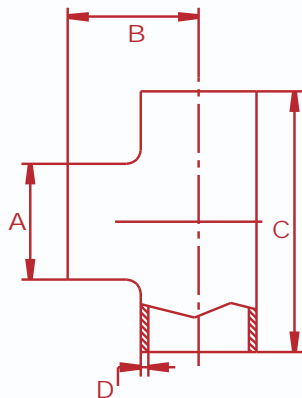
MILK LINE FITTINGS & CONNECTORS -- 3A PIPE LINE (mm)

Equal Tee W/O Straight End



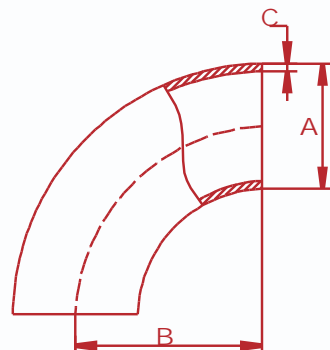
Part No.	Size	A [mm]	B [mm]	C [mm]	D [mm]
011-040	1.0	25.4	16	57.2	1.65
011-041	1.5	38.1	22	84.2	1.65
011-042	2.0	50.8	29	104.8	1.65
011-043	2.5	63.5	35	119.0	1.65
011-044	3.0	76.2	41	131.8	1.65
011-045	4.0	101.6	54	174.6	2.10

V.7W-Long Tee



Part No.	Size	A [mm]	B [mm]	C [mm]	D [mm]
011-060	1.0	25.4	47.6	95.2	1.65
011-061	1.5	38.1	57.2	144.4	1.65
011-062	2.0	50.8	76.2	152.4	1.65
011-063	2.5	63.5	76.2	152.4	1.65
011-064	3.0	76.2	82.6	165.2	1.65
011-065	4.0	101.6	98.4	196.8	2.10

90 Degree Short Elbow



Part No.	Size	A [mm]	B [mm]	C [mm]
011-080	1.0	25.4	38.10	1.65
011-081	1.5	38.1	57.20	1.65
011-082	2.0	50.8	76.20	1.65
011-083	2.5	63.5	95.25	1.65
011-084	3.0	76.2	114.30	1.65
011-085	4.0	101.6	152.40	2.10